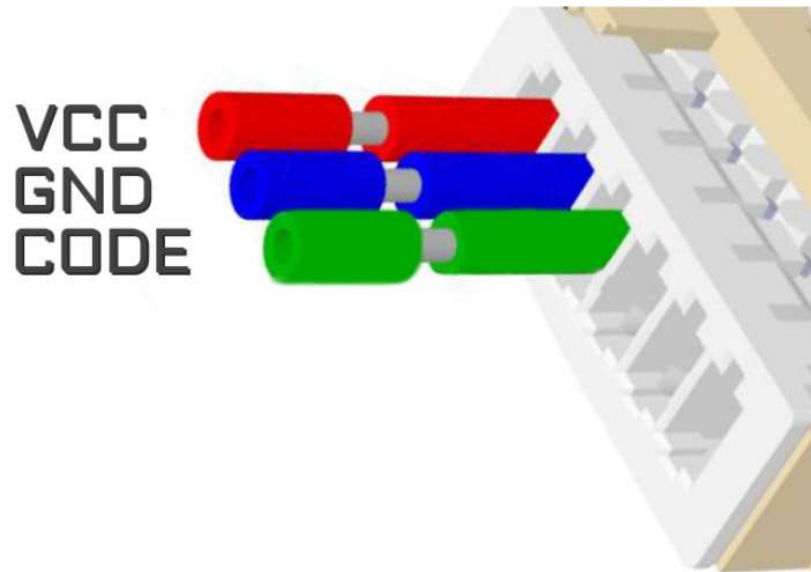


**Daewoo 1**

Steuergerät mit weiß-roter Buchse  
Steuergerät mit blauer Buchse

## Wiring Colour Codes / Farbcodes der Verdrahtung



### The LED behavior

diagnostic mode - it flashes every second

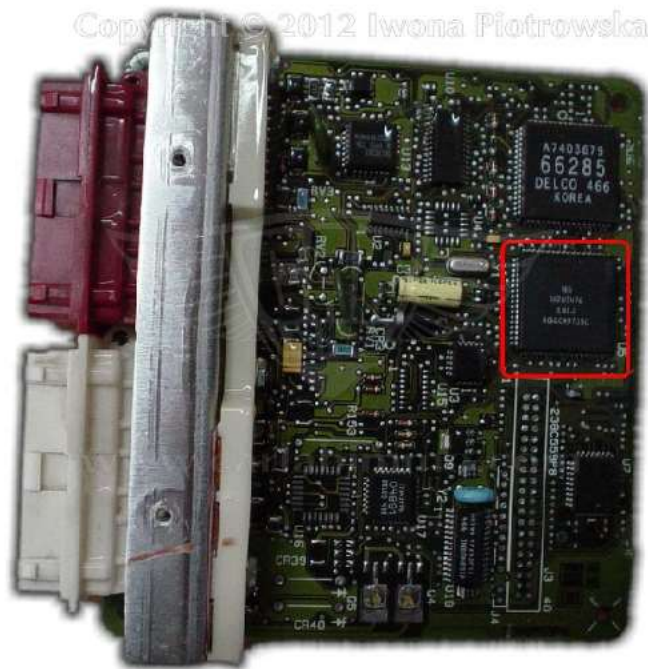
adjusting to the ECU – flashing 0,1 sec

after adjusting it lights constantly and blinks every other second

## Daewoo 1

### USE

**ECUs with white - red sockets and ECUs with blue sockets**



The emulator requires modification of **Motorola HC11F1** processor located in ECU.

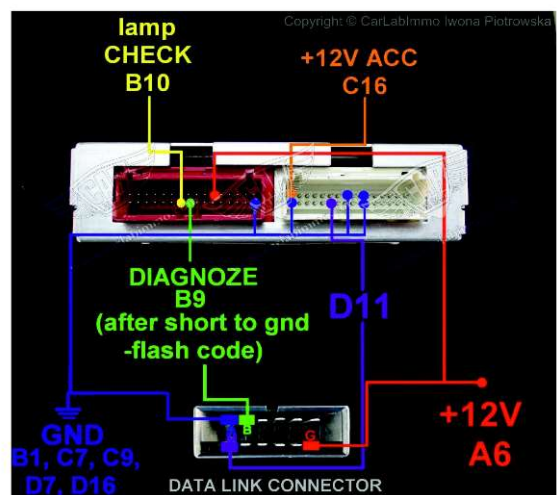
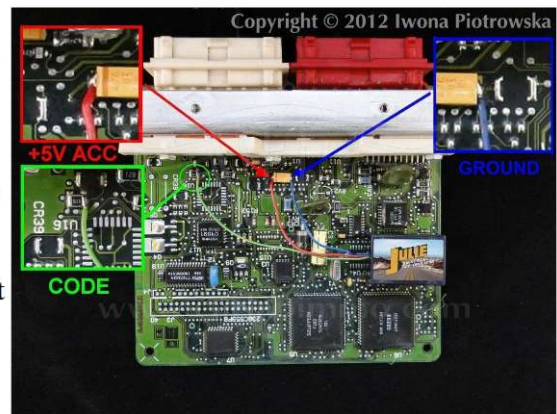
In addresses **010** to **013**  
write values **33 33 FF FF**



Once you modified Motorola, connect emulator to the ECU as pictured.

**Before connecting the emulator, it must be precisely insulated with insulation tape and the original immobiliser must be disconnected!!!**

In case of problems with starting the car, disconnect power supply (+12V) in ECU and connect +12V ACC in place of power supply.



## ECU with blue socket

This emulator requires modification of **Motorola HC11F1** processor located in ECU

**Step 1.** Find **HC11F1** Motorola Processor and read its content.



**Step 2.** Change the values in the following way:  
In addresses **010** to **013**, write values **33 33 FF FF**



**Step 3.** Connect emulator to the ECU as pictured.

**+5V VCC** leg 11 of DELCO 9621 unit

**GND** GND of resonator (quartz)

**Code** leg 1 of DELCO 9621 unit

**Disconnect immo or cut off pin B7 from ECU**

**Before connecting the emulator, it must be precisely insulated with insulation tape and the original immobiliser must be disconnected!!!**

In case of problems with starting the car, **disconnect power supply (+12V) in ECU** and connect +12V ACC in place of power supply.